

CARLOW CONCRETE TANKS

DRAWING TITLE:
1.9m Ø x 5m PRECAST CONCRETE
PUMP CHAMBER
WITH 2m RISER
- TYPICAL DETAILS.

Drawn By: T. Armstrong
Date: 17/04/09
Revision: B

TYPICAL INSITU BALLAST CONCRETE SPECIFICATION:
CONCRETE GRADE: C28/35
MIN. CEMENT CONTENT: 320 kg/m³
MAX. W/C RATIO: 0.55
MAX. AGGREGATE SIZE: 20mm
STEEL FIBRE DOSAGE: 20 kg/m³
STEEL FIBRE TYPE: DRAMIX RL 45/50 BN
(OR SIMILAR)

STANDARD UNIT WEIGHTS:
- STANDARD BASE UNIT: 6.1 TONNES
- 1m RISER: 1.6 TONNES
- 2m RISER: 2.4 TONNES
- 3m RISER: 4.0 TONNES
- LID UNIT: 1.5 TONNES

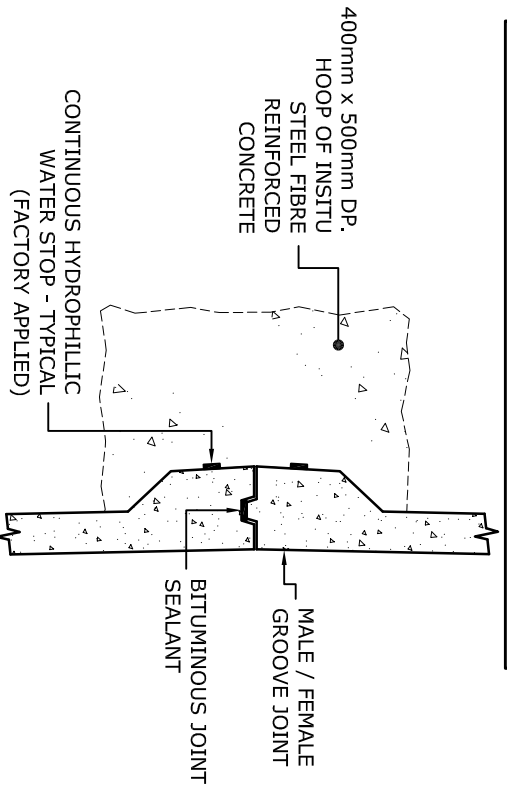
STANDARD LID DESIGN LOADS:

IMPOSED LOAD: 10 kN/m² UDL OR 5,850 kg WHEEL LOAD
DEAD LOAD: UP TO 1m OVERBURDEN
HEAVY DUTY OR CUSTOM LIDS CAN BE MANUFACTURED FOR
MORE ONEROUS APPLICATIONS.

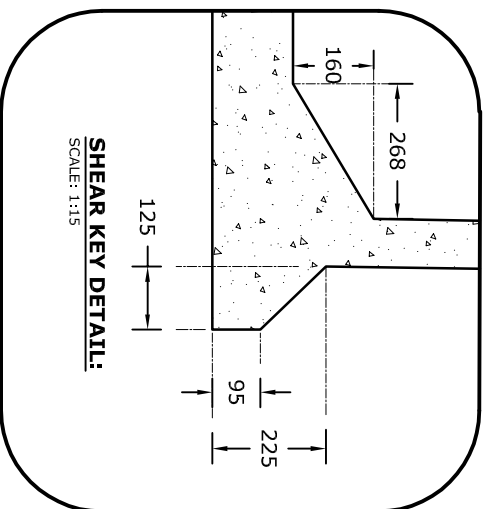
STANDARD ACCESS OPENING SIZES:

- 1400mm x 850mm
- 900mm x 600mm
- 600mm x 600mm

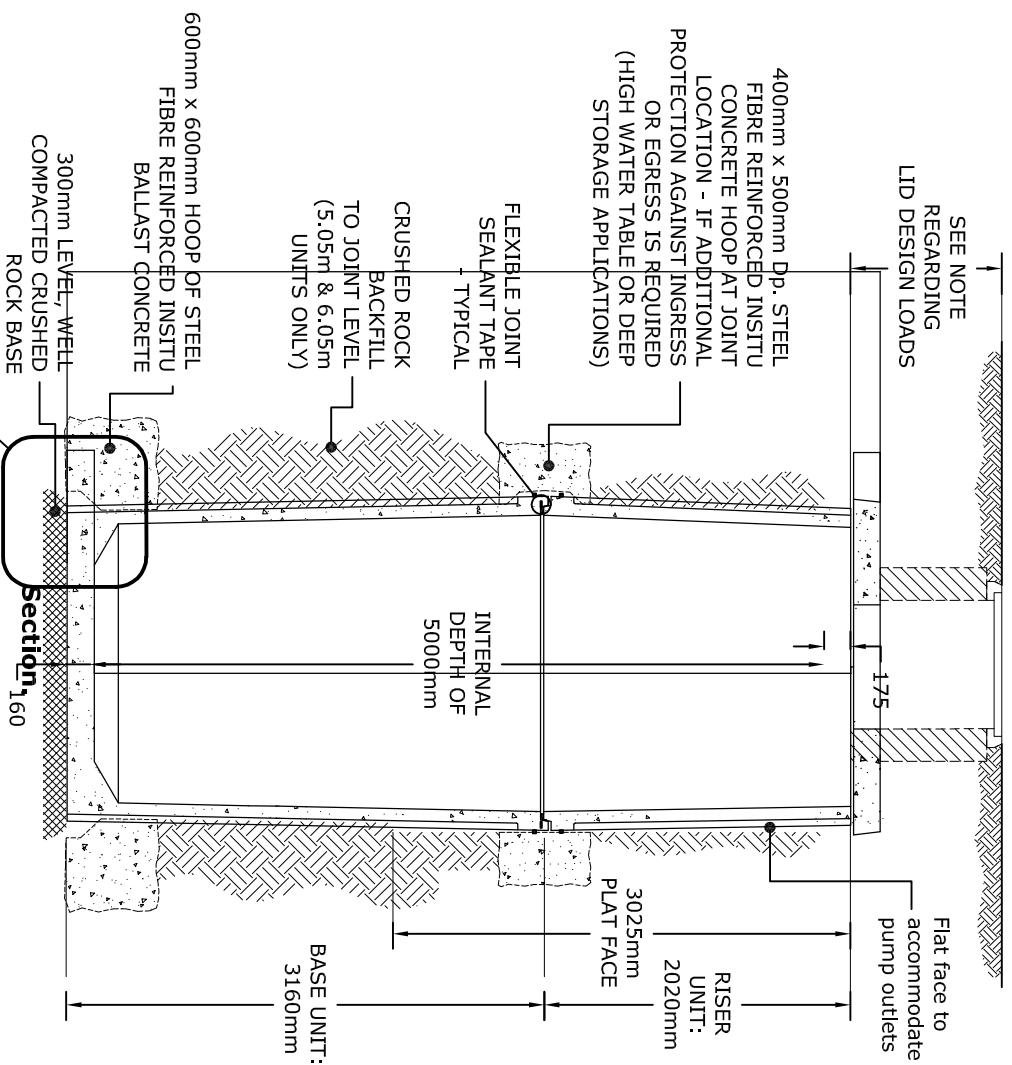
NON STANDARD SIZES ARE AVAILABLE ON REQUEST



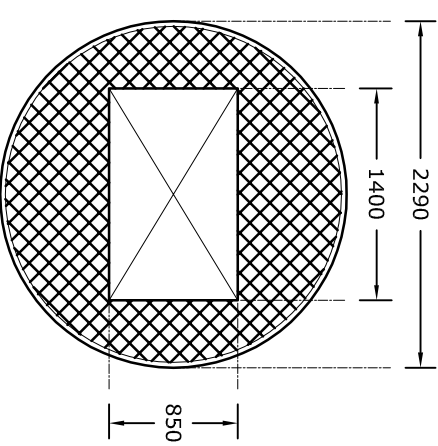
PRECAST JOINT DETAIL:
SCALE: 1:15



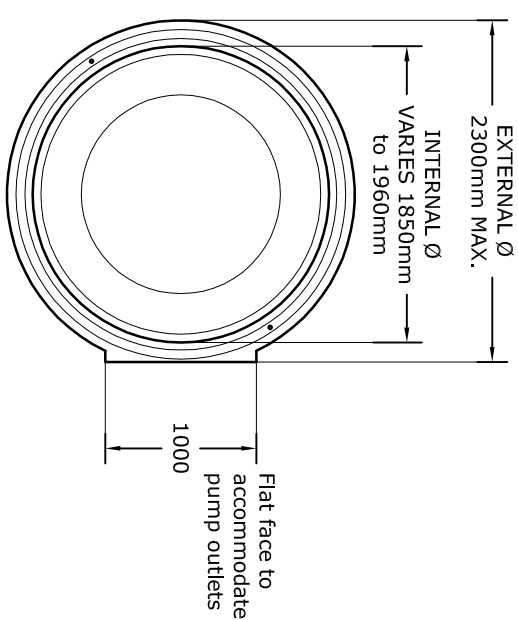
SHEAR KEY DETAIL:
SCALE: 1:15



**SECTION - TYPICAL PUMP
CHAMBER STACK:
(BASE UNIT + RISER)**
SCALE: 1:50



COVER SLAB - PLAN VIEW:
SCALE: 1:50



BASE UNIT - PLAN VIEW:
SCALE: 1:50