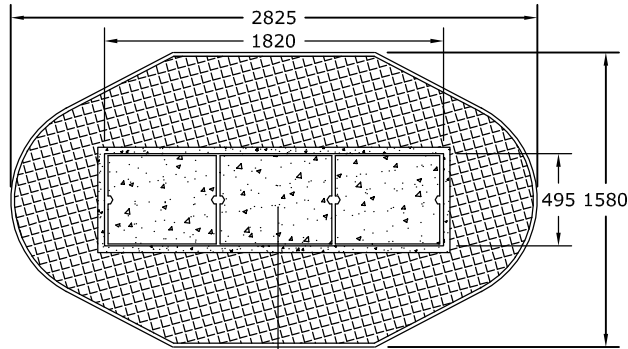


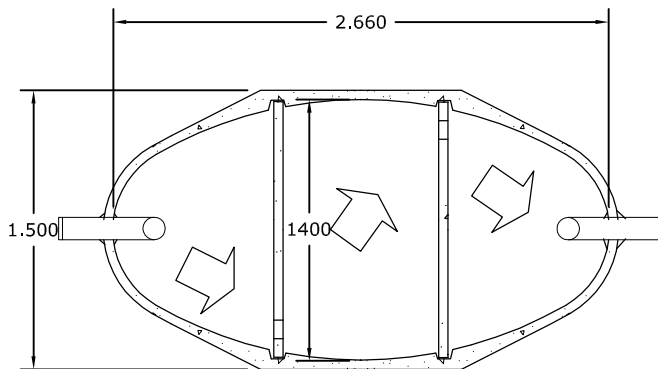
**1000 GALLON (4.5 cubic metre) SEPTIC TANK**

**CERTIFIED TO EN12566-1**



**ROOF PLAN**

Concrete Slabs  
 Pedestrian Traffic



**FLOOR PLAN**

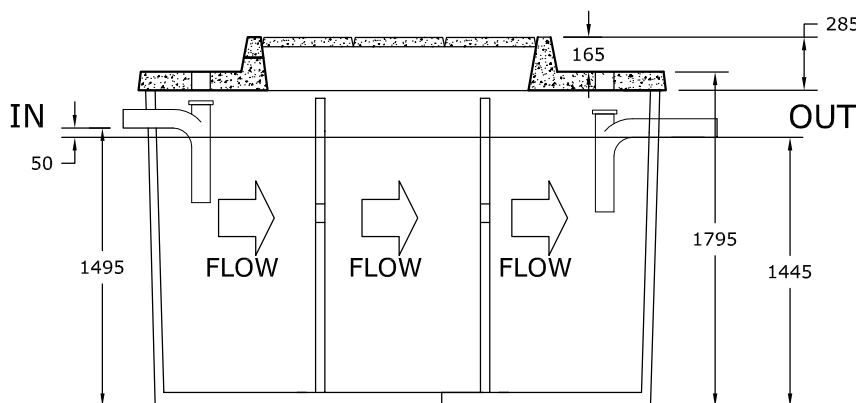
Three equal chambers of 330 gallons (1.5 cubic metres).

110mm Wavin compatible fittings typical. (Others available to order).

Standard tank weight 3.75 tonnes.

Working capacity 740 gallons (3.37 cubic metres).

300mm Risers available



**SECTION**