

**DRAWING TITLE:**

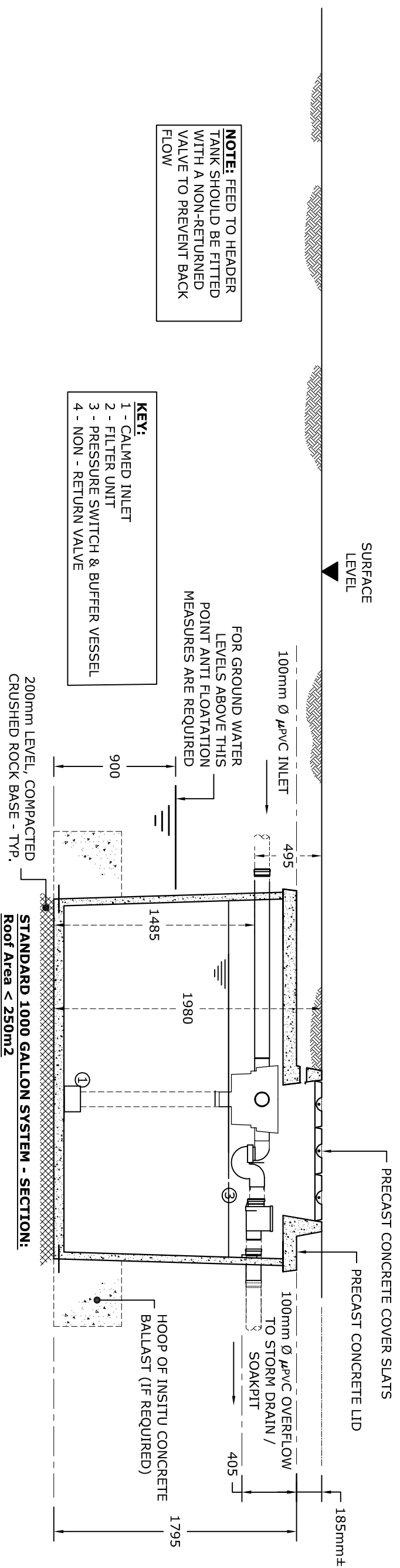
GENERAL LAYOUT - STANDARD 1000 GALLON  
RAINWATER HARVESTING SYSTEM

**Drawn By:** T. Armstrong

**Date:** 16/06/09

**Revision:** E

POWER SUPPLY TO ALL WEATHER IP44 SOCKET  
-3 CORE 2.5 SWA OUTDOOR CABLE  
(BY CUSTOMER)

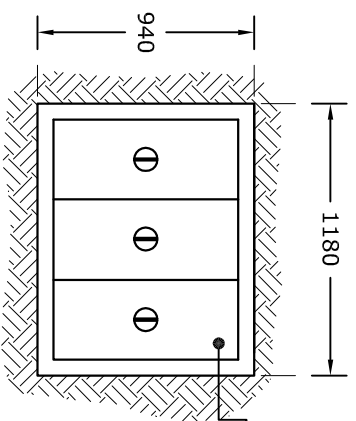


**NOTE:** FEED TO HEADER TANK SHOULD BE FITTED WITH A NON-RETURNED VALVE TO PREVENT BACK FLOW

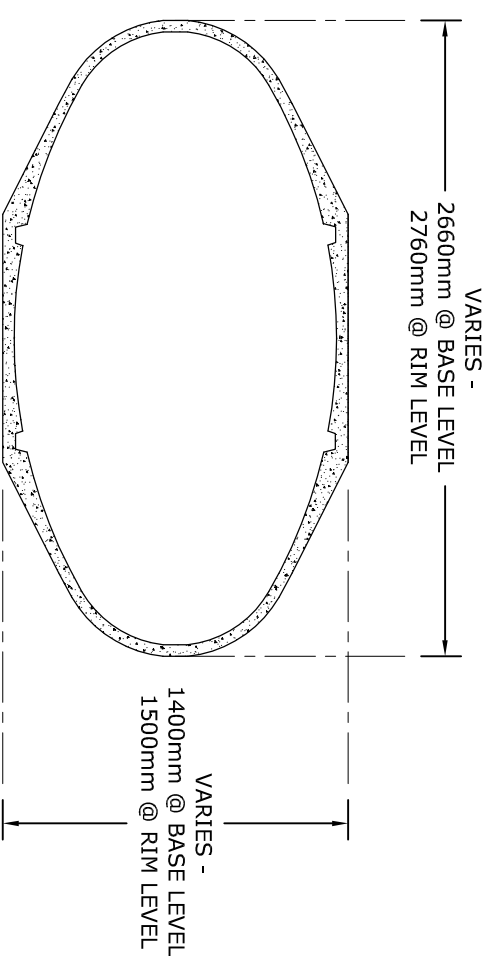
- KEY:**
- 1 - CALMED INLET
  - 2 - FILTER UNIT
  - 3 - PRESSURE SWITCH & BUFFER VESSEL
  - 4 - NON - RETURN VALVE

**UNIT WEIGHTS:**  
TANK: 2.5 t  
LID: 1.0 t  
SLAT: 34 kg

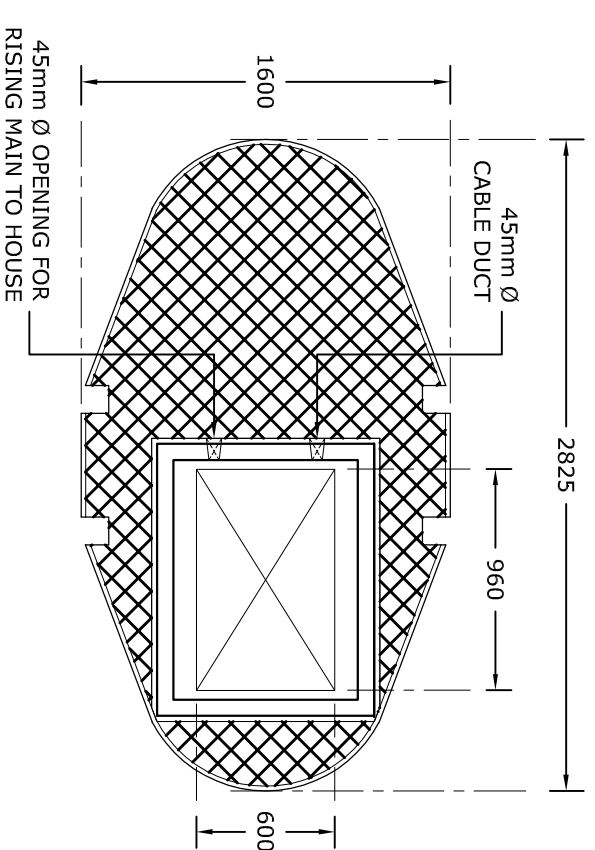
3 No. PRECAST CONCRETE COVER SLATS - APPROX. WEIGHT - 34 kg / SLAT.



**PLAN VIEW - MANHOLE ACCESS OPENING:**  
SCALE: 1:35



**PLAN VIEW - PRECAST CONCRETE STORAGE TANK:**  
SCALE: 1:35



**PLAN VIEW - PRECAST CONCRETE LID:**  
SCALE: 1:35