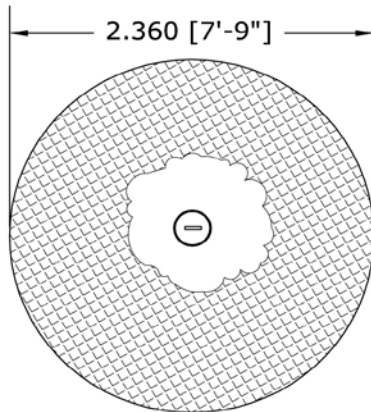
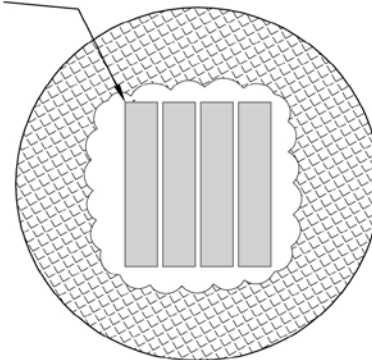


1500 GALLON (6.92 cubic metre) TANK



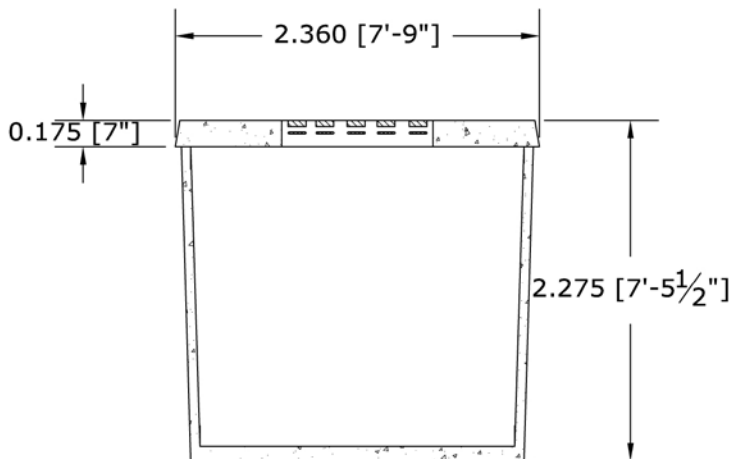
Lid with 9" pot

900mm x 900mm galvanized safety manhole - cast in.

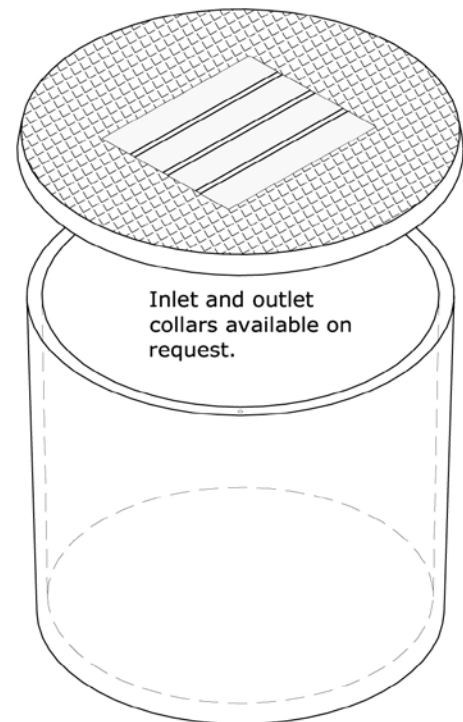


Lid with Standard Safety Manhole

Lid Plan Options



SECTION



3D VIEW

1. Select lid suitable to your application.
2. Select inlet and outlets location if desired, mark location and size of these on the drawing.
3. Fill out the form order confirmation with drawings and post it to our office.

Tanks require a level, well compacted base of CI 804, thickness of which will depend on site conditions typically 150mm thick (1/2ft).

Lorry must be able to reverse to the edge of the excavation.

Tank is then installed by a crane at the rear of the lorry.

After installation we recommend filling the tank with water to prevent flotation until backfilling is complete (only in high water table areas).

Site with a high water table may require a hoop of concrete with rebar at the base of the tank to prevent flotation.

Tank should be backfilled with material free of boulders and large stones.

Weight of base 4.0 Te Weight of Lid 1.40 Te

Solid lids can carry 5.8 Te wheel load

