

TYPICAL INSITU CONCRETE SPECIFICATION:

CONCRETE GRADE: C28/35
 MIN. CEMENT CONTENT: 320 kg/m³
 MAX. W/C RATIO: 0.55
 MAX. AGGREGATE SIZE: 20mm
 STEEL FIBRE DOSAGE: 20 kg/m³
 DRAMIX RL 45/50 BN
 (OR SIMILAR)

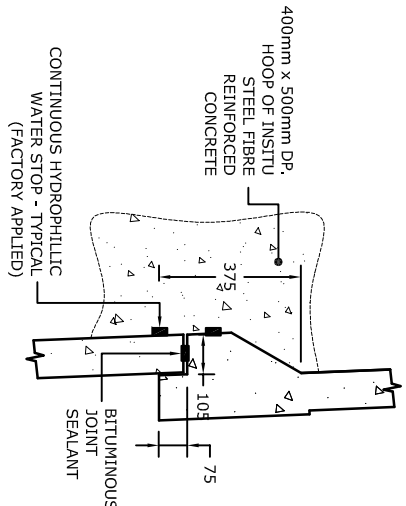
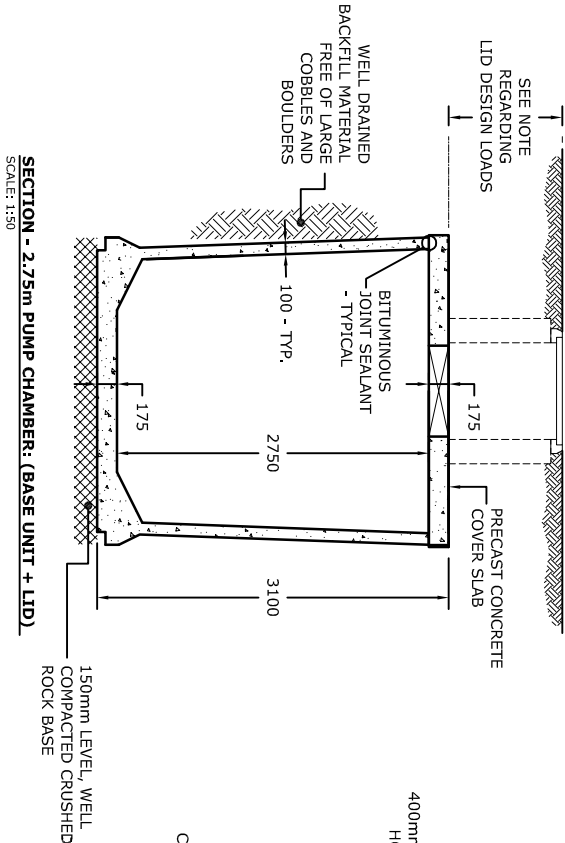
STANDARD LID DESIGN LOADS:

IMPOSED LOAD: 10 kN/m² UDL OR 5,850 kg WHEEL LOAD
 DEAD LOAD: UP TO 1m OVERBURDEN
 HEAVY DUTY OR CUSTOM LIDS CAN BE MANUFACTURED FOR
 MORE ONEROUS APPLICATIONS.

STANDARD ACCESS OPENING SIZES:

- 1400mm x 850mm
 - 900mm x 600mm
 - 600mm x 600mm

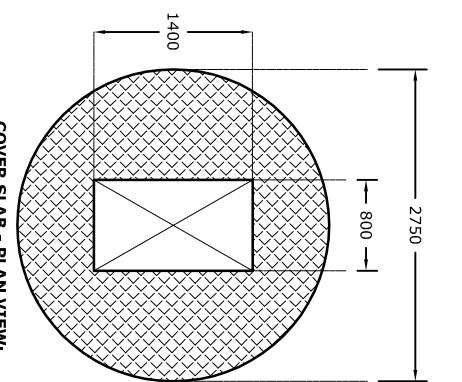
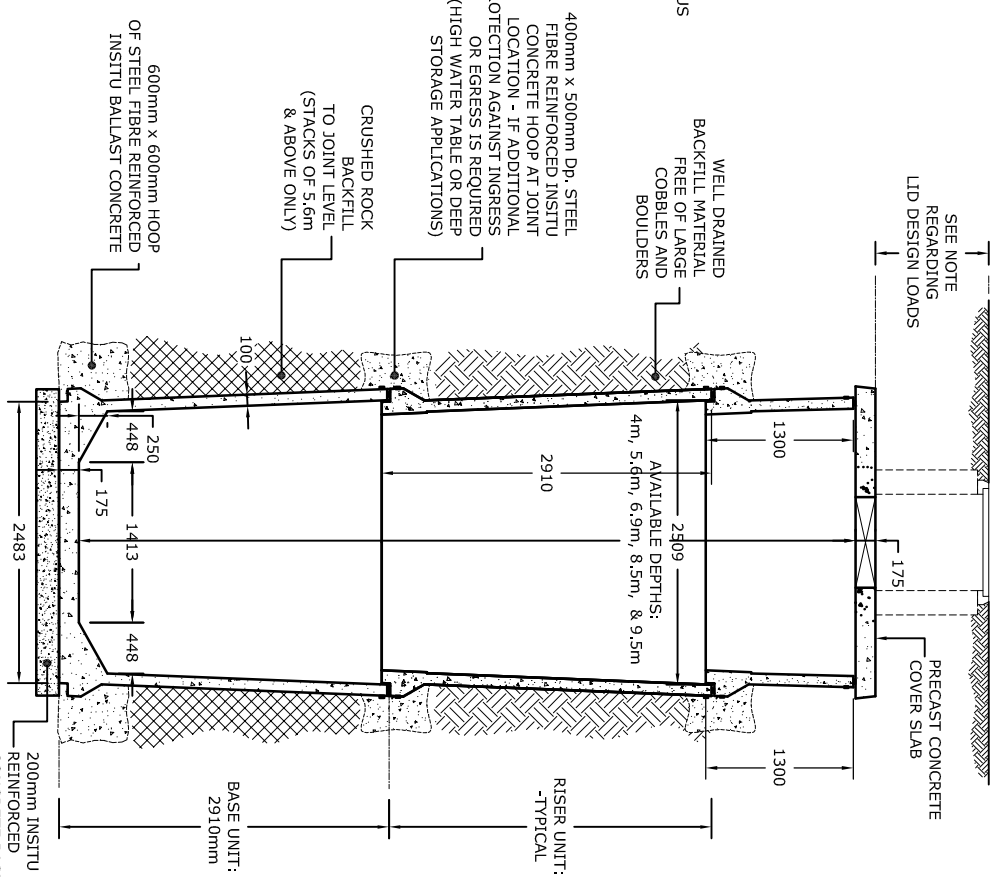
NON STANDARD SIZES ARE AVAILABLE ON REQUEST



PRECAST JOINT DETAIL:

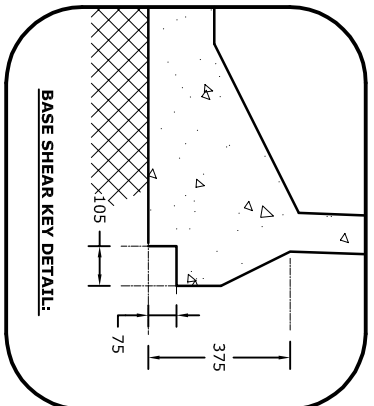
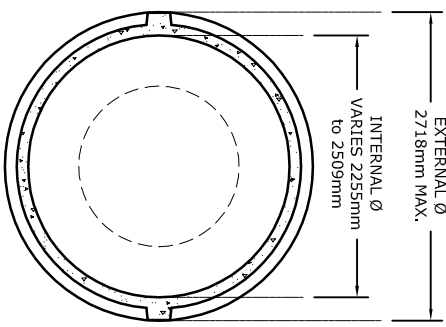
SCALE: 1:15

400mm x 500mm Dp. STEEL FIBRE REINFORCED INSITU CONCRETE HOOP AT JOINT LOCATION - IF ADDITIONAL PROTECTION AGAINST INGRESS OR EGRESS IS REQUIRED (HIGH WATER TABLE OR DEEP STORAGE APPLICATIONS)



COVER SLAB - PLAN VIEW:

BASE UNIT - PLAN VIEW:



SECTION - TYPICAL PUMP CHAMBER STACK: (BASE UNIT + RISER)

SCALE: 1:50