

2500 GALLON SEPTIC TANK

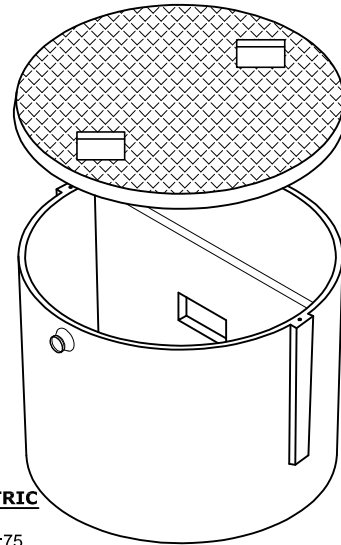
Standard opening 2 No. 600mm square over inlet and outlet positions.

Inlet and outlet positions to Customers requirements. Typically 75mm differential.

Working capacity 2125 gallons (9.66 cubic metres).

Collars, fittings etc. to customers requirements to fitted on site.

Standard tank weight 5.00 tonnes without lid,
7.60 tonnes including lid.



**ISOMETRIC
VIEW**
SCALE 1:75

