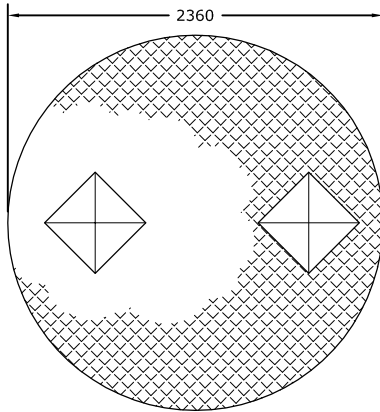
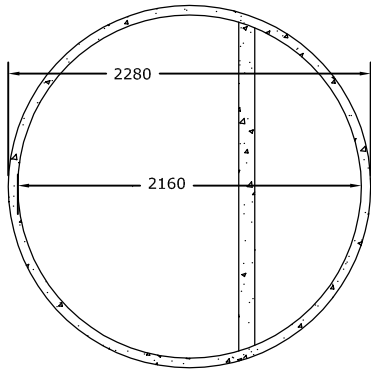


1500 GALLON (6.92 cubic metre) SEPTIC TANK

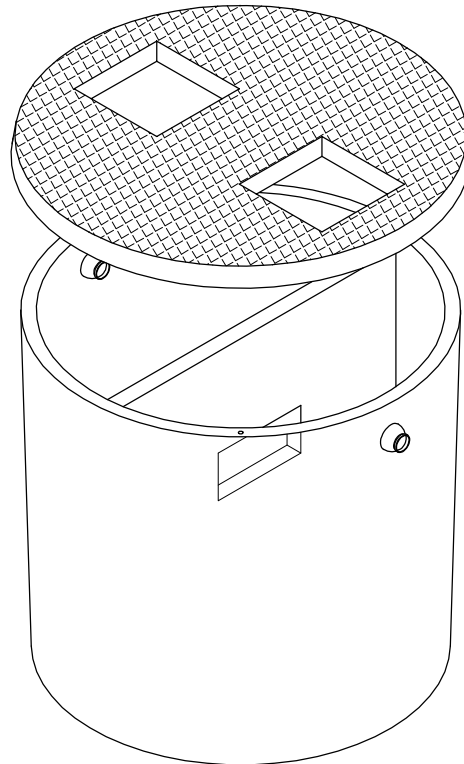


ROOF PLAN

Septic tank weight 5.00 tonnes without lid, 6.40 tonnes including lid.



FLOOR PLAN



3D VIEW

