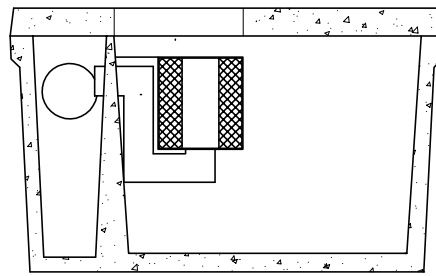
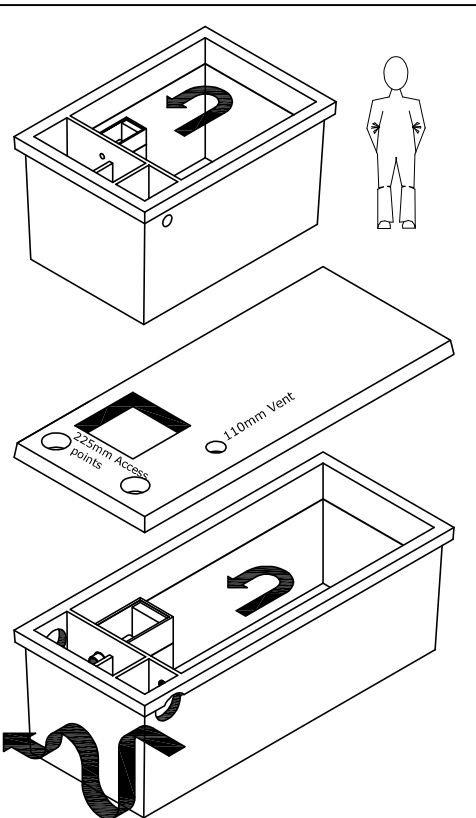
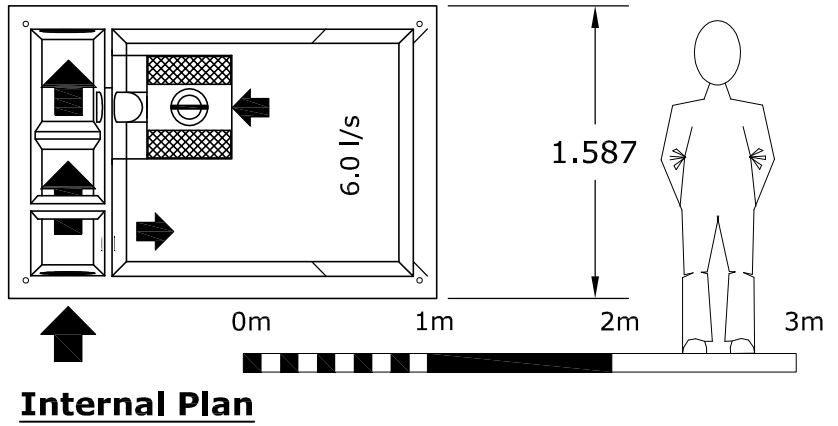
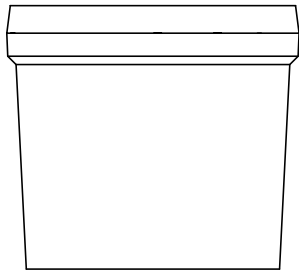
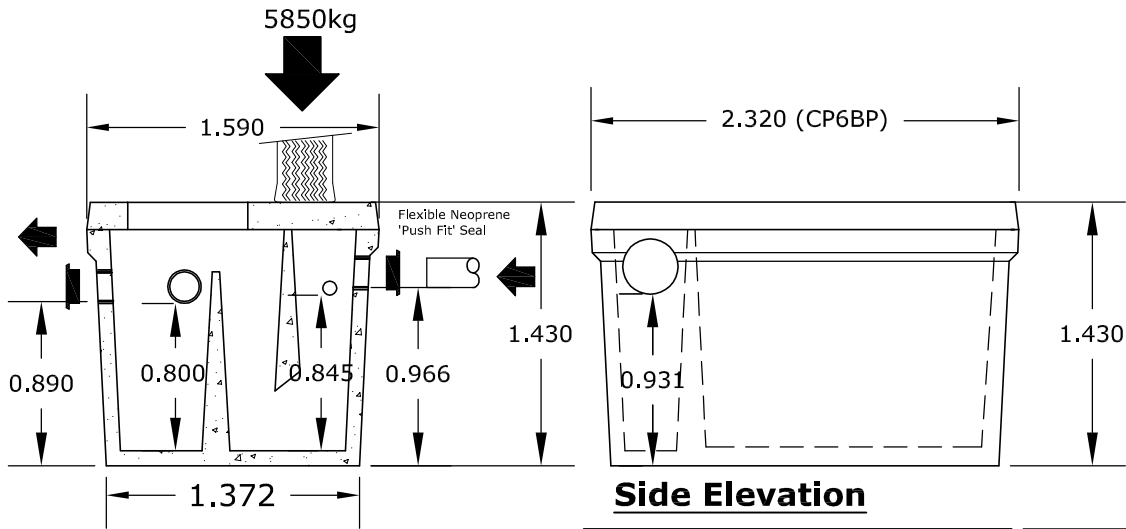


CARLOW CONCRETE TANKS.

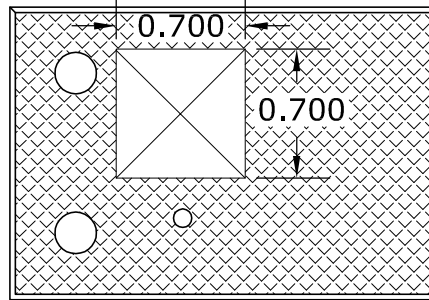
Kilknock, Ballon, Co. Carlow Tel: 05991 59100, Fax: 05991 59831, e-mail: sales@carlowtanks.com

Manufacturers of Septic and Effluent Tanks, Pump Chambers, Reservoirs, Interceptors and Special Products

Modular Bypass Interceptor CP6BP



Long Section



Nominal Flow
Storm Flow
Area Drained (m²)
Standard Pipe Size
Crossfall
Inlet invert to Base
Nominal Oil Storage

CP6BP	6.0l/s	60l/s	3300	150Dia	75mm	965mm	90 l
--------------	--------	-------	------	--------	------	-------	------